

Job Name/Location:

Tag No.:

Date:

| | | |
|------|----------|------------|
| For: | File | Resubmit |
| | Approval | Other_____ |

PO No.:

Architect: _____ GC: _____

Engr: _____ Mech: _____

Rep: _____
(Company) (Project Manager)

LC429HHV
Single-Zone 3x3 Four-Way Ceiling Cassette with LGRED®
Outdoor Unit (ODU) - LUU420HHV, Indoor Unit (IDU) - LCN429HV



Performance:

Cooling:

| | |
|---|----------------------|
| Cooling Capacity (Min~Rated~Max, Btu/h) | 16,800~42,000~49,000 |
| SEER2 | 19.50 |
| EER2 | 12.80 |

SEER - Seasonal Energy Efficiency Ratio EER - Energy Efficiency Ratio

Heating:

| | |
|---|----------------------|
| Heating Capacity (Min~Rated~Max, Btu/h) | 18,000~48,000~57,600 |
| HSPF2 | 10.75 |
| Max. Heating @ Indoor 70°F DB (Btu/h) | 50,700 |
| Outdoor 17°F WB | 40,000 |
| Outdoor 5°F WB* | 43,000 |
| Outdoor -4°F WB | 36,000 |
| Outdoor -13°F WB | 36,000 |

HSPF - Heating Seasonal Performance Factor
* The Capacities at 5°F does not refer to H42 testing conditions.
Cooling Nominal Test Conditions: Heating Nominal Test Conditions:
Indoor: 80°F DB / 67°F WB Indoor: 70°F DB / 60°F WB
Outdoor: 95°F DB / 75°F WB Outdoor: 47°F DB / 43°F WB

Electrical:

| | |
|---|-----------------|
| Power Supply (V~/Hz/Ø) | 208-230/60/1 |
| MOP (A) | 40 |
| MCA (A) | 32 |
| Cooling / Heating Rated Amps (A) | 14.6 / 15.1 |
| Compressor (A) | 22 |
| Fan Motor (IDU + ODU) (A) | 1.3 + (1.6 x 2) |
| Cooling Power Input (Min~Rated~Max, kW) | 0.93~3.28~5.50 |
| Heating Power Input (Min~Rated~Max, kW) | 1.17~3.41~5.80 |
| Locked Rotor Amps (A) | 33 |

MOP - Maximum Overcurrent Protection MCA - Minimum Circuit Ampacity

Piping:

| | |
|--|------------|
| Installed Liquid Pipe (in., O.D.) | 3/8 Flare |
| Installed Vapor Pipe (in., O.D.) | 5/8 Flare |
| IDU Liquid Connection (in., O.D.) | 3/8 Flare |
| IDU Vapor Connection (in., O.D.) | 5/8 Flare |
| Additional Refrigerant (oz./ft.) | 0.43 |
| Min. / Max. Pipe Length (ft.) ² | 16.4 / 246 |
| Piping Length (no add'l refig., ft.) | 24.9 |
| Max. Elevation (ft.) | 98.4 |

Features:

- Inverter (Variable Speed Compressor)
- Internal Condensate Pump
- Jet Cool / Jet Heat
- Auto Restart
- Auto Changeover
- Ultra-quiet Turbo Fan
- Night Quiet Function
- Optional Wi-Fi Control
- Drain Pan Heater
- Swirl Wind
- Direct / Indirect Wind
- Smart Mode
- Refresh Mode

Included Accessories:

- Wireless Remote Controller -PWLSSB21H

Required Accessories:(sold seprately)

- Grille Kit - PT-AAGW0

Optional Accessories:

- MultiSITE™ CRC2 - PREMTBVC2
- Programmable Remote Controller - PREMTB100
- Delux Remote Controller - PREMTB200
- Dry Contact 3rd Party Thermostat - PDRYCB320
- Ventilation Flange Kit³ - PTVK430
- Flange Kit - PTVK410+PTVK420
- AC Smart 5 - PACS5A000
- Low Ambient Kit -0°F cooling PAG-HS4/PAG-HS5 Wind Guards
- Wi-Fi Module - PWFMD200

For a complete list of available accessories, contact your LG representative.
For continual product development, LG reserves the right to change specifications without notice.
© LG Electronics Canada., Inc., North York, ON. All rights reserved. "LG Life's Good" is a registered trademark of LG Corp. /www.lgdfs.ca

Operating Range:

Outdoor Unit:

| | |
|-----------------|-----------|
| Cooling (°F DB) | 5 ~ 118 |
| Heating (°F WB) | -13 ~ +64 |

Indoor Unit:

| | |
|-----------------|---------|
| Cooling (°F WB) | 57 ~ 77 |
| Heating (°F DB) | 59 ~ 81 |

System Data:

| | |
|--|-------------------|
| Refrigerant Type | R410A |
| Refrigerant Control | EEV |
| Refrigerant Charge (lbs.) | 9.26 |
| ODU Sound Pressure (Cooling / Heating) (±1 dB[A]) ³ | 54 / 56 |
| IDU Sound Pressure (H/M/L/SL) (±1 dB[A]) ³ | 46 / 43 / 41 / 39 |
| ODU Net / Shipping Weight (lbs.) | 210.9 / 234.1 |
| IDU Net / Shipping Weight (lbs.) | 59.5 / 70.5 |
| Grille Net Weight (lbs.) | 15.6 |
| Heat Exchanger Coating | GoldFin™ |

Fan:

| | |
|-------------------------------|---------------------------------------|
| ODU Type | Propeller |
| IDU Type | Turbo |
| Fan Speeds (Fan/Cool/Heat) | 4 / 5 / 5 |
| Quantity (ODU + IDU) | 2 + 1 |
| Motor/Drive | Brushless Digitally Controlled/Direct |
| Maximum ODU Air Volume (CFM) | 4,238 |
| IDU Air Flow (CFM Max./H/M/L) | 1,483 / 1,130 / 953 / 812 |
| Dehumidification (pts./hr.) | 7.27 |

Notes:

1. Acceptable operating voltage: 187V-253V.
2. Piping lengths are equivalent.
3. Sound Pressure levels are tested in an anechoic chamber under ISO Standard 3745.
4. All communication / connection (power) cable from the outdoor unit to the indoor unit is field supplied and must be a minimum of four-conductor, 14 AWG, stranded, shielded or unshielded (if shielded, it must be grounded to the chassis of the outdoor unit only), and must comply with applicable local and national codes.
5. See Engineering Manual for sensible and latent capacities.
6. Power wiring cable size must comply with the applicable local and national code.
7. This unit comes with a dry helium charge.
8. This data is rated 0 ft. above sea level, with 24.6 ft. of refrigerant line and a 0 ft. level difference between outdoor and indoor units.
9. Must follow installation instructions in the applicable LG installation manual.

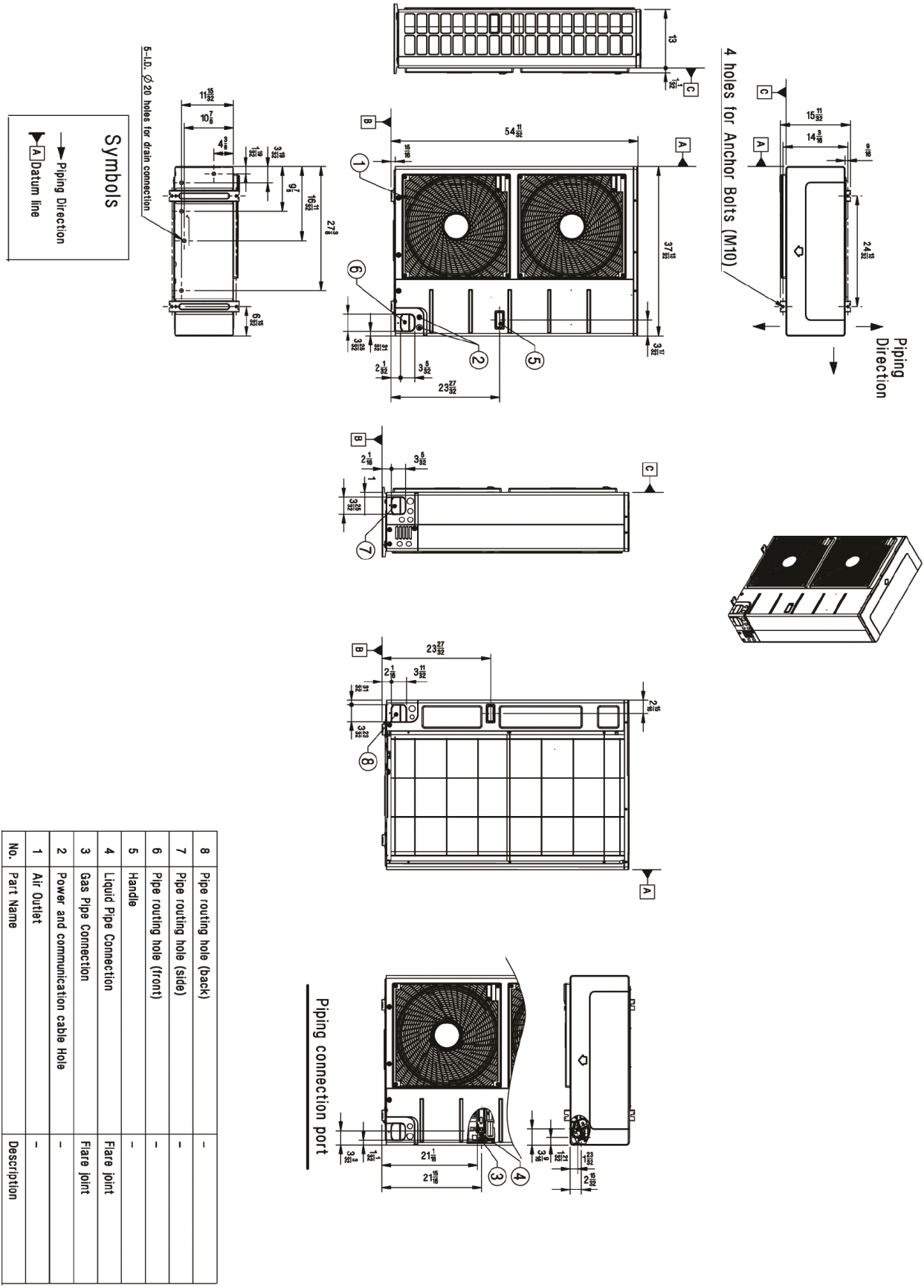
BACnet® is a registered trademark of ASHRAE. LonWorks® is a trademark of Echelon Corporation.



LC429HHV
 Single-Zone 3x3 Four-Way Ceiling Cassette with LGRED®
 Outdoor Unit (ODU) - LUU420HHV, Indoor Unit (IDU) - LCN429HV



Tag No.: _____
 Date: _____
 PO No.: _____



LC429HHV
Single-Zone 3x3 Four-Way Ceiling Cassette with LGRED®
 Outdoor Unit (ODU) - LUU420HHV, Indoor Unit (IDU) - LCN429HV



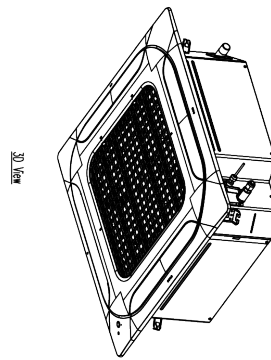
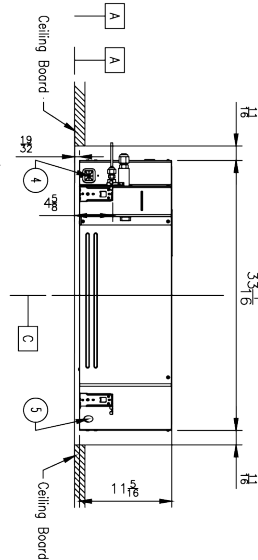
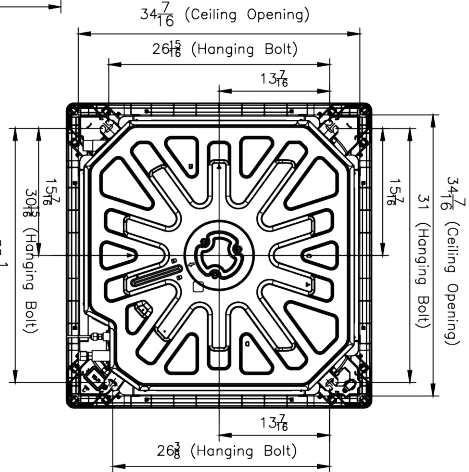
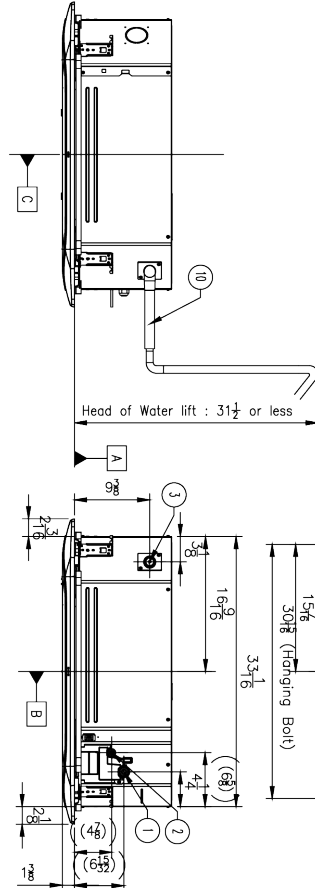
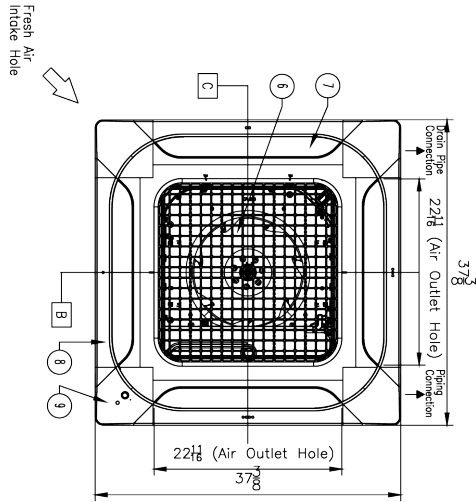
Tag No.: _____

Date: _____

PO No.: _____

[Unit: inch]

- Note:**
- Unit should be installed in compliance with the installation manual.
 - Unit should be grounded in accordance with the local regulations or applicable national codes.
 - All electrical components and materials to be supplied from the site must comply with the local regulations or international codes.



Installation position of body
 (Keep this distance between the bottom surface of body and Ceiling Surface)

| No. | Part Name | Description |
|-----|--|-----------------------|
| 11 | Fresh Air Intake Hole | Knock-out type |
| 10 | Flexible Drain Hose | Supplied with product |
| 9 | Decoration Corner Cover | Supplied with panel |
| 8 | Decoration Panel (Accessory) | PF*-WA**W |
| 7 | Air Outlet | - |
| 6 | Air Inlet | - |
| 5 | Wired remote controller wire routing hole | - |
| 4 | Power and communication cable routing hole | - |
| 3 | Drain Pipe Connection | - |
| 2 | Liquid Pipe Connection | - |
| 1 | Gas Pipe Connection | - |